

MILL BROOK INDUSTRIES, INC.

MBI's Seating incorporates features that give you comfort, durability, value, and style.

A100W

Wood Chiavari Stack Chairs



Classic elegance combined with unexpected durability. Thanks to steel piping that runs throughout the legs and chair frame, the patent pending Steel Reinforced Chiavari Chairs are perfect for use in the ballroom, in the dining hall, or for any event where the classic Chiavari look is desired.



Cushions available in White, Ivory, and Black.

FEATURES:

- 4 METAL REINFORCEMENT BRACKETS FOR GREATER STABILITY
- CHOICE OF 1.5" THICK VELCRO OR STRING TIE CUSHIONS IN BLACK, WHITE, OR IVORY
- STACKS UP TO 10 HIGH TO MAXIMIZE STORAGE.
- 7 WOOD FINISHES TO CHOOSE FROM [SEE PAGE 2]



*ADY-7000
Chair Mover Dolly*

MILL BROOK INDUSTRIES, INC.

MBI's Seating incorporates features that give you comfort, durability, value, and style.

A100W

Wood Chiavari Stack Chair

Dimensions:

Overall

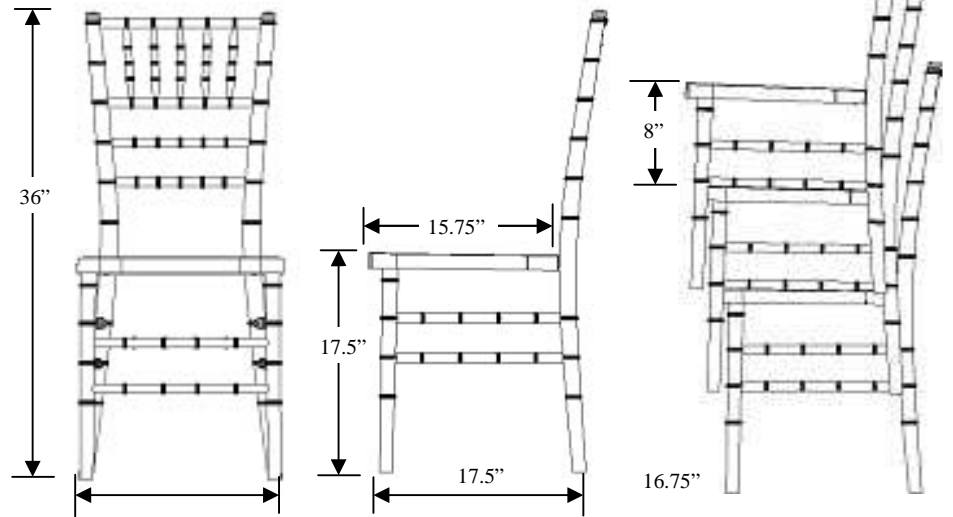
Width	16.75"
Depth	17.75"
Height	36"
Weight	10 lbs.

Seat

Width	15.75"
Depth	15.75"
Height	17.5"

Back

Width	14.5"
Height	18.5"



Available Colors



Natural



Black



Silver



White



Gold



Mahogany



Fruitwood

