

# MILL BROOK INDUSTRIES, INC.

*MBI's Seating incorporates features that give you comfort, durability, value, and style.*

## A1900

## Wood Wedding Folding Chairs



Natural



White



Black

### Features:

---

Quality Beech Wood

Environmentally Friendly Paint and Clear Lacquer Coating

Cushioned/Removable seat with vinyl

Available in White, Black, and Natural

### ADY-2250 Chair Dolly

Stacks up to 25  
(A1900's) high



# MILL BROOK INDUSTRIES, INC.

*MBI's Seating incorporates features that give you comfort, durability, value, and style.*

## A1900

## Wood Wedding Folding Chairs

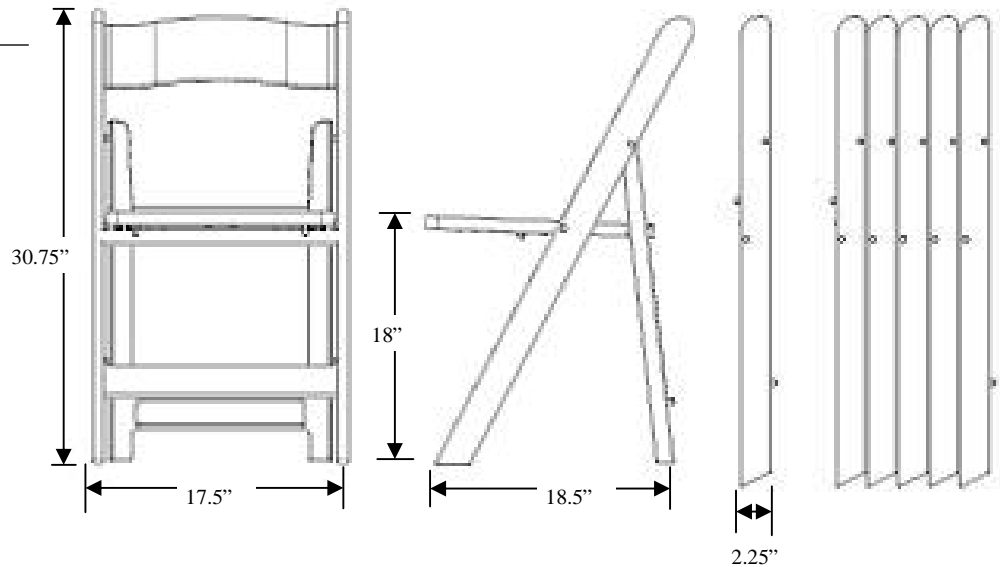
### Dimensions:

#### Overall

Width	17.5"
Depth	18.5"
Height	30.75"
Weight	9 lbs.

#### Seat

Foam Thickness	0.5"
Width	15.5"
Depth	14.25"
Height	18"



**Legs and Frame:** Chair is made of Beech Wood, joints secured with nails and glue.

**Seat:** Seat base has a 0.5" thick soft foam cushion, covered by a washable, heavy duty vinyl. The seat board is also removable for any needed maintenance.

**Frame Finish:** All chairs have an environmentally friendly paint and finished with a clear lacquer finish.

**Stacking:** Up to 25 high using A2250 Dolly

**Colors:** Chairs are only available in White, Black, and Natural.

**Warranty:** 1 Year Limited Manufacturer

